

## EM-HP Extension Module

Extension Module for up to 4 pumps with a high current consumption



The specialist  
for strong  
pumps!



The EM-HP Extension Module enables the control of up to 4 loads with a high current consumption. The power supply of these loads is established over electro-mechanical relays with a switching capacity of 4 A each.

For the speed control of high-efficiency pumps, the Extension module is equipped with 4 PWM outputs that can be converted to 0-10 V outputs.

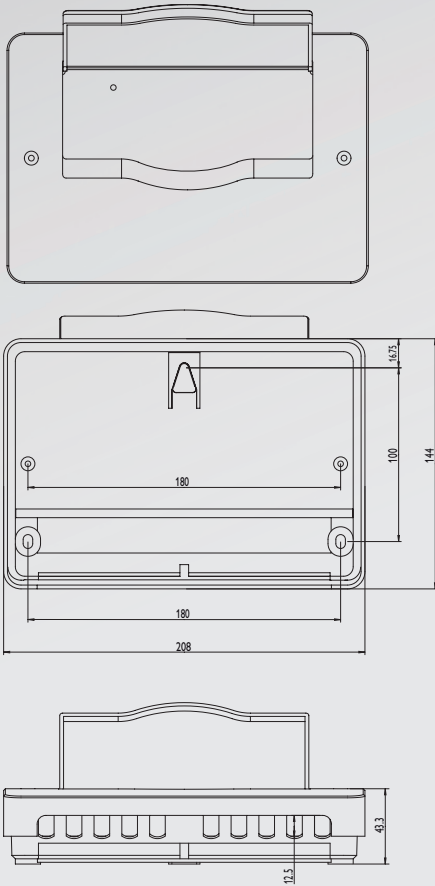
- Connection and speed control of loads with a high current consumption
- Simple connection to the controller via VBus<sup>®</sup>
- Easy configuration with selection and DIP switches
- 4 electromechanical relays

**RESOL EM-HP Extension Module**

Price bracket A | Article no.: **145 441 20**

Customised and OEM versions are available on request. Please contact our sales team.

## Technical data



### Outputs:

4 electromechanical relays, 4 PWM/0-10V outputs

**PWM frequency:** 512 Hz

**PWM voltage:** 10.5 ... 11 V

**Switching capacity:** 4 (2) A 240V~ (electromechanical relay)

**Total switching capacity:** 8 A 240V~

**Power supply:** 100 ... 240V~ (50 ... 60 Hz)

**Supply connection:** type Y attachment

**Power consumption:** < 1 W (standby)

**Mode of operation:** type 1.B action

**Rated impulse voltage:** 2.5 kV

**Data interface:** RESOL VBus®

**Housing:** plastic, PC-ABS and PMMA

**Mounting:** wall mounting

**Indication/Display:** operating control LED

**Operation:** DIP switches, 1 slide switch

**Ingress protection:** IP 20/EN 60529

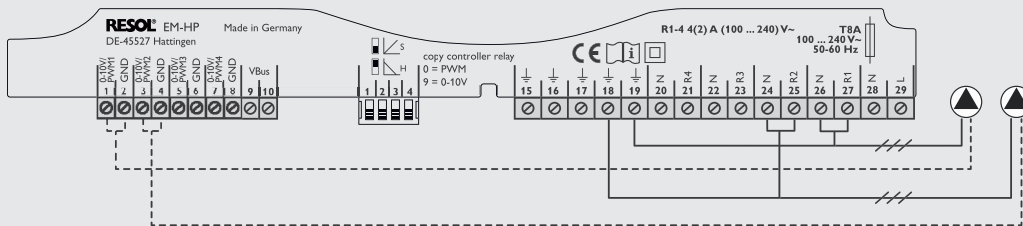
**Protection class:** II

**Ambient temperature:** 0 ... 40°C

**Pollution degree:** 2

**Dimensions:** 144 × 208 × 43 mm

## Electrical connection



## Examples

### RESOL controller

