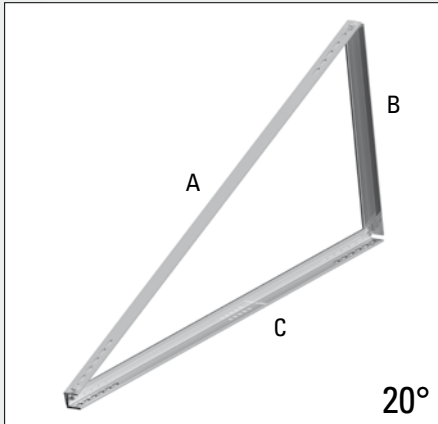


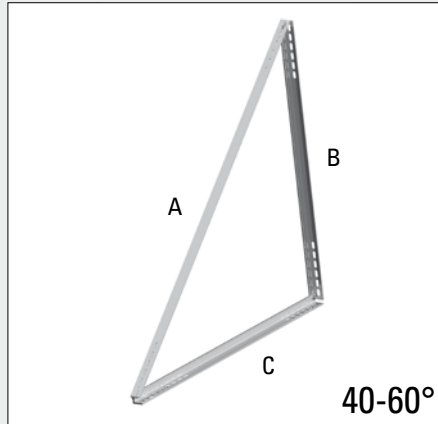
FRAMES

Description

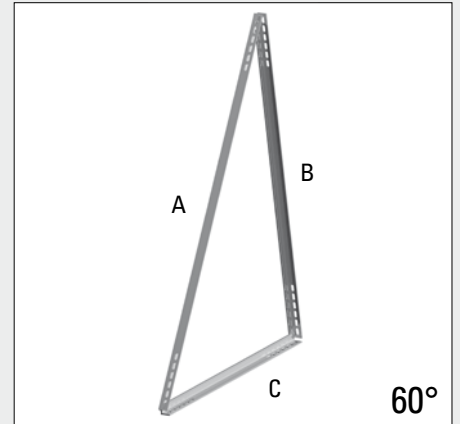
Sections in aluminium and fasteners stainless steel.



PFM-S 2,01/2,55 + PFM-W 2,01/2,55



PFM-S 2,01/2,55 + PFM-W 2,01/2,55



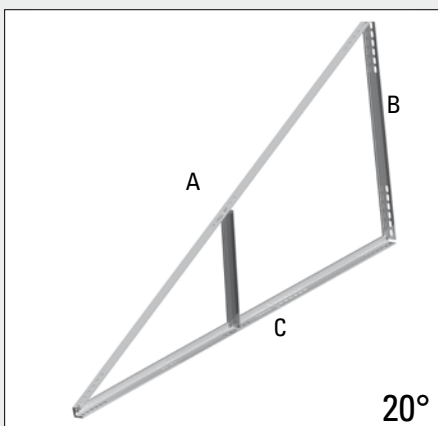
PFM-S 2,01/2,55 + PFM-W 2,01/2,55

PFM-S 2,01/2,55 dimensions

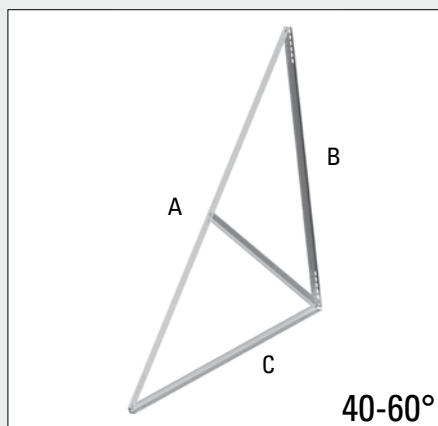
Type	Tilt	A	B	C
PFM-S 2,01/2,55	20°	1700 mm	600 mm	1700 mm
PFM-S 2,01/2,55	40-60°	1700 mm	1180 mm	1490 mm
PFM-S 2,01/2,55	60°	1700 mm	1490 mm	1180 mm

PFM-W dimensions

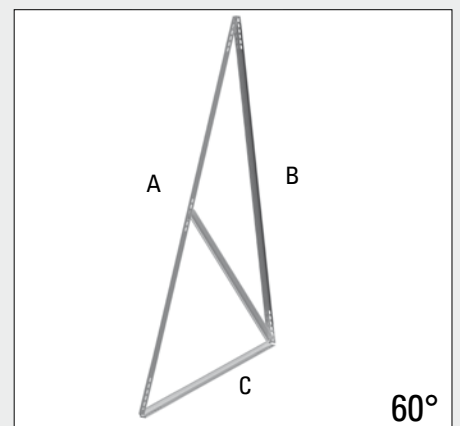
Type	Tilt	A	B	C
PFM-W	20°	1180 mm	420 mm	1180 mm
PFM-W	40-60°	1180 mm	810 mm	1000 mm
PFM-W	60°	1180 mm	1000 mm	810 mm



PFM-S 3,30



PFM-S 3,30



PFM-S 3,30

PFM-S 3,30 dimensions

Type	Tilt	A	B	C
PFM-S 3,30	20°	2800 mm	1000 mm	2800 mm
PFM-S 3,30	40-60°	2800 mm	1900 mm	2465 mm
PFM-S 3,30	60°	2800 mm	2465 mm	1900 mm