

ADVANCED WEBMODULE



Product description

With this auxiliary module, large quantities of data (e.g. measurements and balance values for the solar system) can be recorded over extended periods. Using the TiSUN-Control Service-Portal, the system can be accessed with just a few clicks (without knowledge of networks and without complicated router configuration). A SD card can also be used to transfer the recorded data from the internal memory of the AD webmodule to a PC. The AD webmodule is suitable for use with all TiSUN controllers. It can be directly connected to a PC or router for remote querying, facilitating convenient system monitoring for yield control or for extended diagnosis of failure situations.

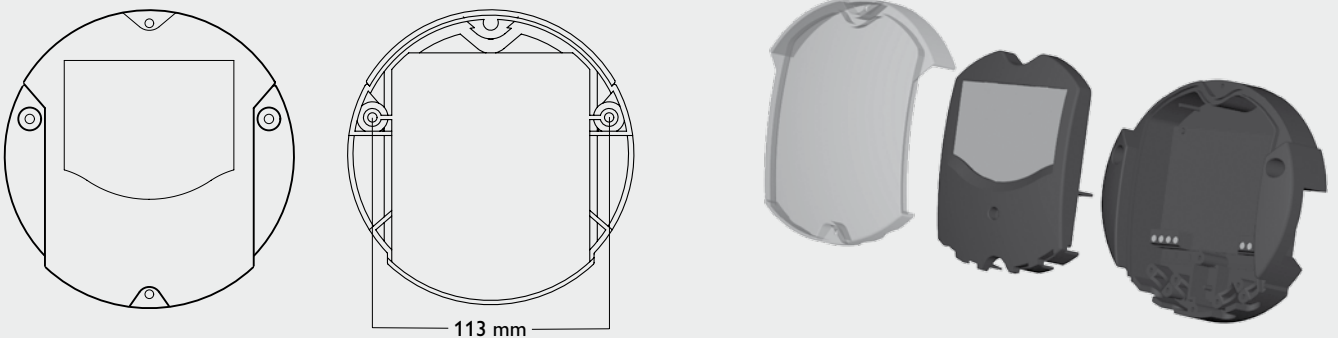
- Displays system conditions
- Yield control
- Easier diagnosis of malfunction
- Internet access using TiSUN-Control - without complicated router configuration
- Comfortable configuration using RPT software
- Export function for further data processing in spreadsheet programs
- Direct connection for PC or router for remote querying

TiSUN-Control

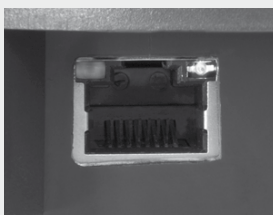
Specifications

| | |
|---------------------|--|
| Type | AD webmodule |
| Item no. | 1510681 |
| Housing | Plastic, PC-ABS and PMMA |
| Protection class | IP 20 / DIN EN 60529 |
| Ambient temperature | 0 ... 40 °C |
| Dimensions | Ø 139 mm, H 45 mm |
| Installation | Wall installation |
| Display | Bar LED to check the storage space, 1 illuminated pushbutton to display operational readiness and SC card status |
| Data interface | VBus®, LAN, SD card slot |
| Supply | AD webmodule: > 5 V DC ± 5 % Wall power supply: 100 - 240 V~ (50 - 60 Hz) |
| Power consumption | 1.75 W |
| Nominal current | 350 mA |
| Storage capacity | 180 MB internal memory (approx. 20 to 120 months, depending on the logging interval) |

Housing dimensions and installation:



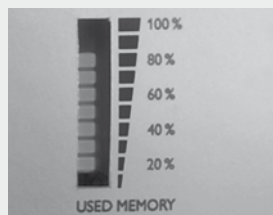
Features:



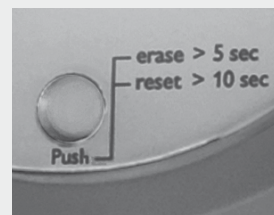
LAN connection



SD card slot



Storage capacity



Status display

TiSUN-Control:

The server solution for easy and secure logging access to the system data, without network knowledge. Using TiSUN-Control, internet access to the solar thermal system is as easy as logging into an online shop. www.control.tisun.com