

SOLAR CONTROL UNITS

EXPERT WEBMODULE



Product description

With this auxiliary module, large quantities of data (e.g. measurements and balance values for the solar system) can be recorded over extended periods, just as with the AD webmodule. Using the TiSUN-Control Service-Portal, the system can be accessed with just a few clicks (without knowledge of networks and without complicated router configuration). An SD card can also be used to transfer the recorded data from the internal memory of the EX webmodule to a PC. The EX webmodule is suitable for all TiSUN controllers; up to 6 controllers can be connected to an EX webmodule. It can be directly connected to a PC or router for remote querying, facilitating convenient system monitoring for yield control or for extended diagnosis of failure situations. Communication with BM systems is possible using the BACnet functions. The EX webmodule also has a large full-graphics display for best presentation of the connected controllers.

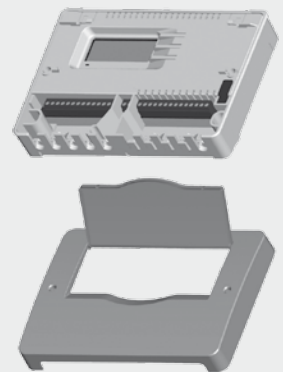
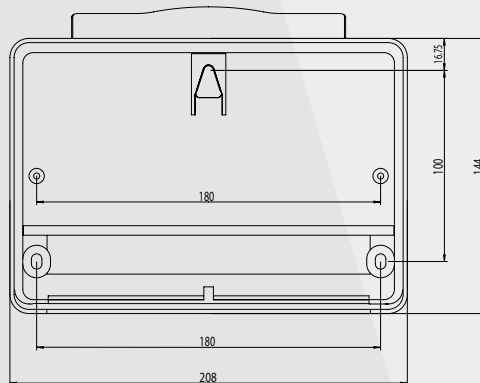
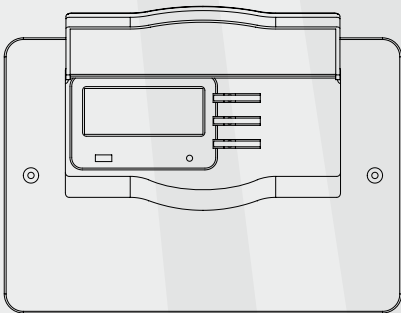
- Data collection or configuration of up to 6 TiSUN controllers
- Temperature measurement and recording possible using integrated sensor / pulse inputs
- BACnet functions for BACnet-compliant data transmission
- All important settings can be made directly at the EX webmodule
- Live data configuration with filters and user-defined displays
- Data storage on SD card
- Can be updated to new firmware using SD card or internet
- Internet access using TiSUN-Control - without complicated router configuration

TiSUN-Control

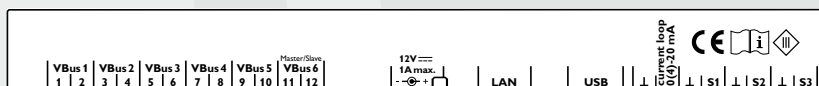
Specifications

Type	Webmodule EX
Item no.	1510682
Housing	Plastic, PC-ABS and PMMA
Protection class	IP 20 / DIN EN 60529
Protection class	III
Ambient temperature	0 ... 40 °C
Dimensions	144 x 208 x 43 mm
Installation	Wall installation
Display	Full graphics display for status visualisation and operational control LED
Operation	3 pushbuttons
Data interface	6x VBus®, LAN, USB master, SD card slot
Supply	"EX webmodule: 12 V=wall power supply: 100 - 240 V~ (50 - 60 Hz)"
Nominal current	1.0 A

Housing dimensions and installation:



Electrical connection:



TiSUN-Control:

The server solution for easy and secure access to the system data, without network knowledge. Using TiSUN-Control, internet access to the solar thermal system is as easy as logging into an online shop. www.control.tisun.com