

# SOLAR CONTROL UNIT ACCESSORIES

## SURGE PROTECTION FOR THE COLLECTOR SENSOR



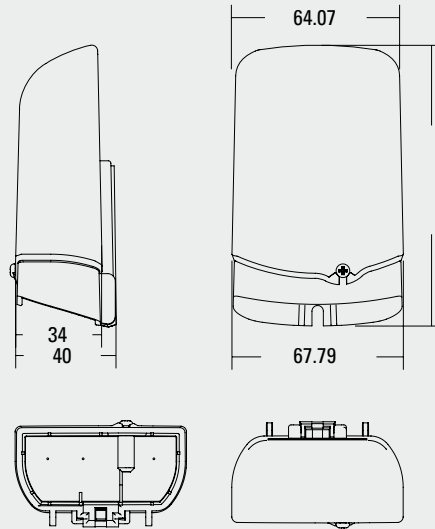
### Product description

Surge protection for outdoor installation. This should always be used to protect the sensitive temperature sensors in or at the collector. If a lightning discharge occurs nearby, voltage peaks can be induced in the sensor leads which can destroy the sensor. The protection diodes in the surge protection for the collector sensor limit these voltage peaks to a value that won't damage the sensor. The greatest sensor protection for the sensor can be attained by mounting the housing as close to the sensor as possible. The surge protection for the collector sensor is contained in a solid housing for outdoor installation in accordance with external weather conditions. Three cable guides for the sensor line in the underside facilitate uncomplicated installation.

### Specifications

Type	Surge protection for the collector sensor
Item no.	1510662
Top section of housing	Luran S757R
Bottom section of housing	Karilen E42D-H201
Protection class	IP 65
Ambient temperature	-25 ... 70 °C
Dimensions	111 x 68 x 40 mm

### Housing dimensions:



## OUTSIDE TEMPERATURE SENSOR (OTS)



### Product description

The OTS is used to detect the outside temperature with a platinum measurement element. The OTS is contained in a waterproof housing for outdoor installation in accordance with external weather conditions. Cable guides for the sensor line in the underside facilitate uncomplicated installation.

### Specifications

Type	OTS
Item no.	1510663
Top section of housing	Luran S757R
Bottom section of housing	Karilen E42D-H201
Sensor	Pt1000
Dimensions	111 x 68 x 40 mm

### Housing dimensions:

