

## HYDRAULIC BASIC SET, COPPER



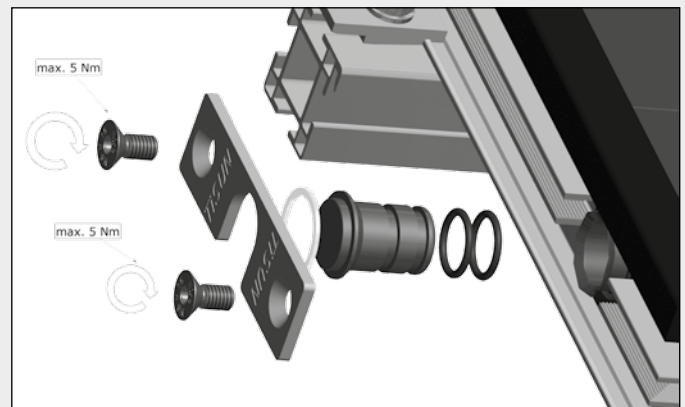
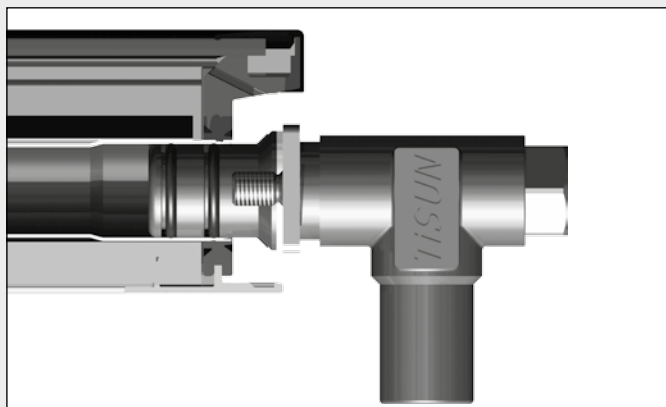
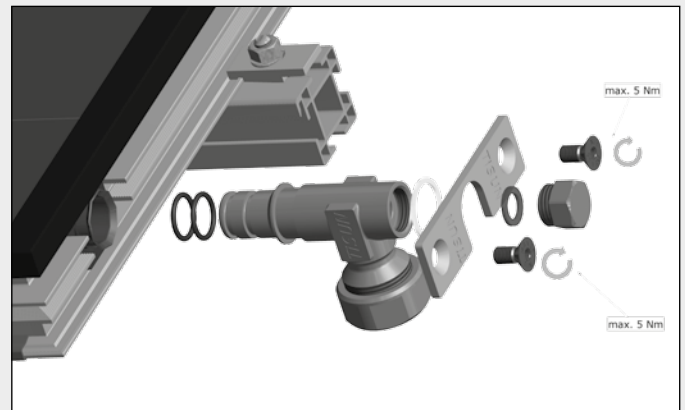
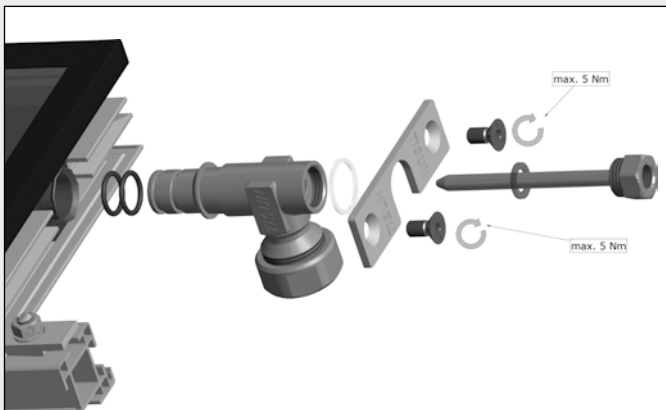
### Product description

The HGC has all connections necessary to hook up the collector array to copper piping. The connection fitting with sensor pocket and integrated 90° elbow should always be installed at the hottest point of the collector, thereby allowing the temperature of the solar forward flow to be ideally determined. The connection fitting with dummy threaded connection and integrated 90° elbow connects the solar return flow with the piping. The two additional dummy plugs supply the remaining connections of the collector array. Easy installation of the fittings (plug & flow) by fixing through the PFM base plate.

### Specifications

Type	HGC
Item no.	1530031
Fitting with sensor pocket	Completely premounted with adapter to CU 22 mm
Fitting with dummy threaded connection	Completely premounted with adapter to CU 22 mm
Fitting with dummy plug	For sealing the non-used connections
Base plate	For fixing the connection fittings to the collector
Countersunk head screw	Size M8, to fix the base plates to the covering thread groove
Teflon ring	Slit; for thermal separation of the connection from the collector frame

### Installation



## HYDRAULIC BASIC SET, CORRUGATED PIPE (HGW)



### Product description

The HGW has all connections necessary to hook up the collector array to the corrugated pipe piping system. The connection fitting with sensor pocket and integrated 90° elbow should always be installed at the hottest point of the collector, thereby allowing the temperature of the solar forward flow to be ideally determined. The connection fitting with dummy threaded connection and integrated 90° elbow connects the solar return flow with the piping. The two additional dummy plugs supply the remaining connections of the collector array. Easy installation of the fittings (plug & flow) by fixing through the PFM base plate. The corrugated pipe and any required fittings must be ordered separately.

### Specifications

<b>Type</b>	<b>HGW 16</b>
<b>Item no.</b>	<b>1530032</b>
Fitting with sensor pocket	Completely premounted with adapter to corrugated pipe DN16
Fitting with dummy threaded connection	Completely premounted with adapter to corrugated pipe DN16
Fitting with dummy plug	For sealing the non-used connections
Base plate	For fixing the connection fittings to the collector
Countersunk head screw	Size M8, to fix the base plates to the covering thread groove
Teflon ring	Slit; for thermal separation of the connection from the collector frame

<b>Type</b>	<b>HGW 20</b>
<b>Item no.</b>	<b>1530033</b>
Fitting with sensor pocket	Completely premounted with adapter to corrugated pipe DN20
Fitting with dummy threaded connection	Completely premounted with adapter to corrugated pipe DN20
Fitting with dummy plug	For sealing the non-used connections
Base plate	For fixing the connection fittings to the collector
Countersunk head screw	Size M8, to fix the base plates to the covering thread groove
Teflon ring	Slit; for thermal separation of the connection from the collector frame

### Installation

